

Chapter 1, Problem 3

Two planar pin-connected frames are supported and loaded as shown in Figure P1.3. For the structure, determine the following:

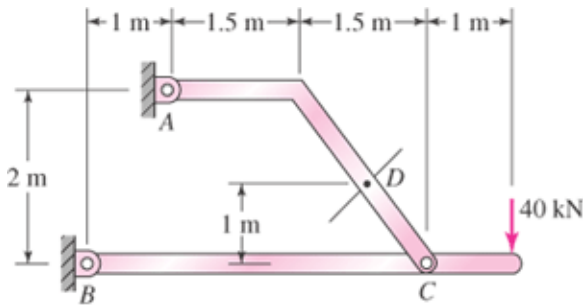


Figure P1.3

- (a) The components of reactions at B and C .
- (b) The axial force, shear force, and moment acting on the cross section at point D .

Chapter 1, Problem 5

A planar frame is supported and loaded as shown in Figure P1.5. Determine the reaction at hinge B .

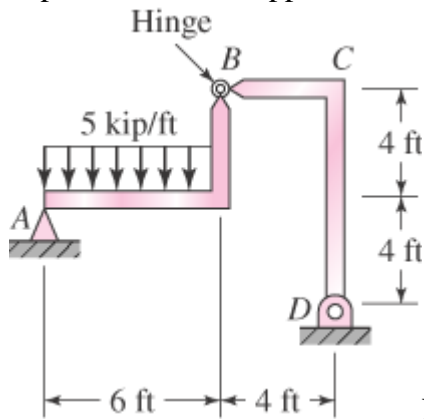


Figure P1.5

Chapter 1, Problem 9

Redo Problem 1.8, for the case in which $P_1 = 0$ and $P_2 = 400$ N.

A bent rod is supported in the xz plane by bearings at B , C , D and loaded as shown in Figure P1.8. Dimensions are in millimeters. Calculate moment and shear force in the rod on the cross section at point E .

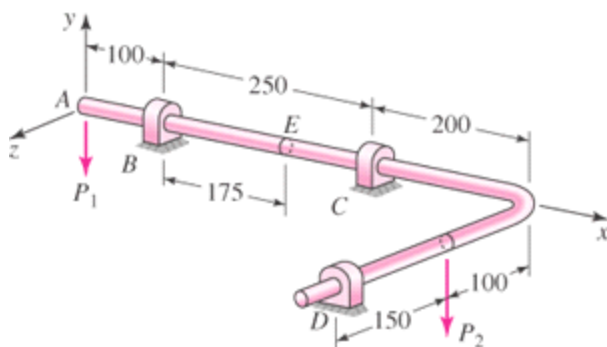


Figure P1.8