

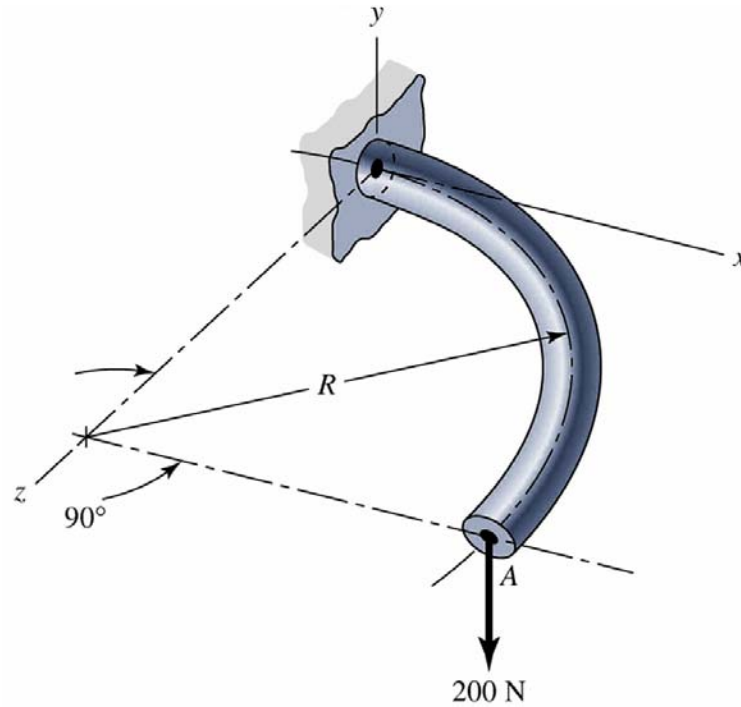
ME 1028 (06-1)

HW#8

Due on Wednesday, Nov. 16th

_____ Name

(1) For the wire form shown, determine the deflection of point A in the y-direction. Consider the effects of **bending** and **torsion** only. The wire is steel with $E = 200 \text{ GPa}$, $\nu = 0.29$, and has a diameter of 5 mm. Before application of the 200-N force the wire form is in the xz plane where the radius $R = 100 \text{ mm}$.



- (2) For the wire shown, determine
- (a) The reactions at points A and B
 - (b) How the bending moment varies along the wire, and
 - (c) The deflection at point C

